

All dimensions are in mm.

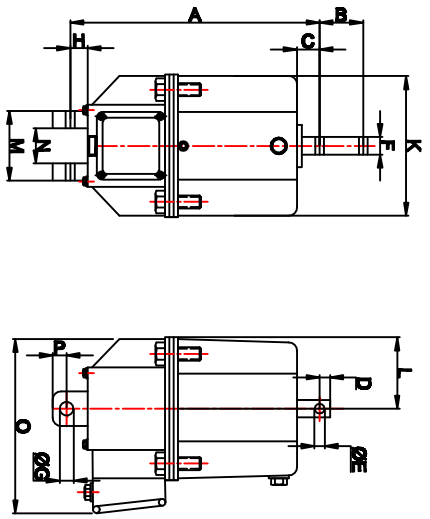


FIG. -1

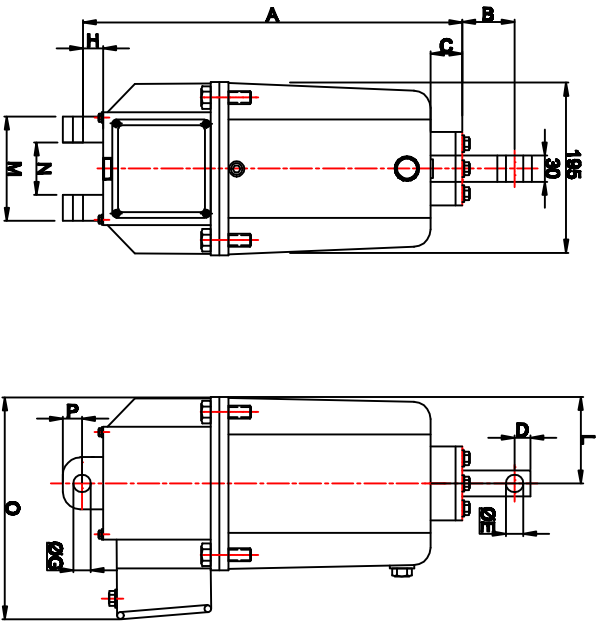


FIG. -2

- TECHNICAL DATA :-**
1. POWER SUPPLY : 415V AC, 3 ph., 50 Hz.
 2. CLASS OF INSULATION : CLASS F
 3. RECOMMENDED OIL : AS PER IS 335/1972 (TRANSFORMER OIL)
 4. DEGREE OF PROTECTION : IP 65

DIMENSIONS TABLE

TYPE	A	B	C	D	ØE	F	ØG	H	K	L	M	N	O	P	FIG.
KED 23 / 5	298	50	26	12	12	20	16	20	160	80	80	40	200	16	FIG.-1
KED 30 / 5	370	50	34	15	16	25	16	18	160	80	80	40	197	16	
KED 50 / 6	435	60	36	18	20	30	20	23	195	97	120	60	254	22	

TECHNICAL DATA

THRUSTER TYPE	RATED LIFTING FORCE (N)	RATED STROKE (mm)	STROKE TIME LIFTING	STROKE TIME LOWERING	RATED FREQUENCY (Hz)	RATED VOLTAGE (V)	RATED CURRENT (A)	RATED WEIGHT (Kg)
KED 23 / 5	220	50	0.35	0.35	50	415V	0.52	10
KED 30 / 5	300	50	0.35	0.35	50	415V	0.46	14
KED 50 / 6	500	60	0.45	0.39	50	415V	0.48	14

CUSTOMER : M/S SAIL RSP



ELECTRONIC & POWER CONTROL CO.
BHILLAL-490026

GENERAL ARRANGEMENT DRAWING
FOR THRUSTER BRAKE
TYPE - KED

REV.	DATE	BY	CHKD	APD	DATE	SCALE	SHEET
1	22-10-2010	SHWETA	M.BAHADUR			N.T.S.	1 of 1

R.NO.

DATE

Scale: N.T.S. Sheet : 1 of 1