

All dimensions are in m.m.

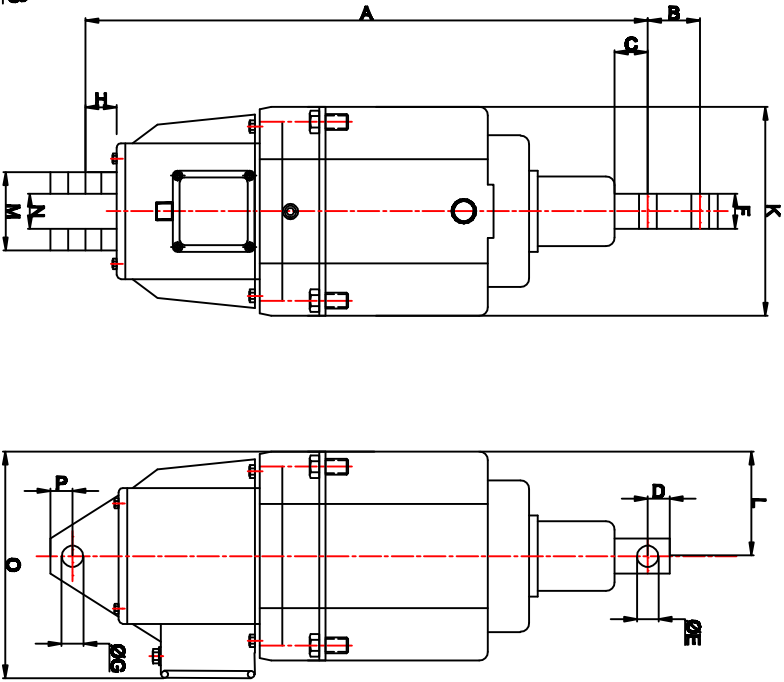
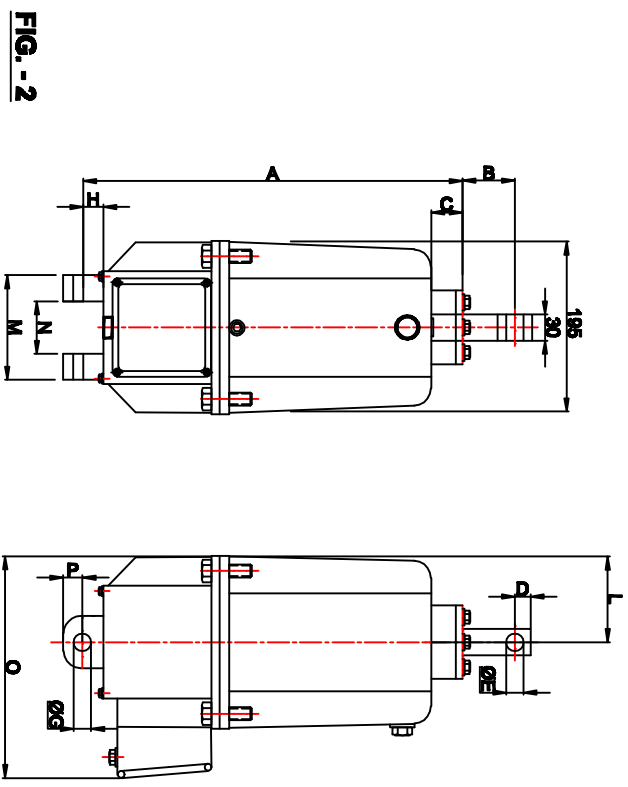
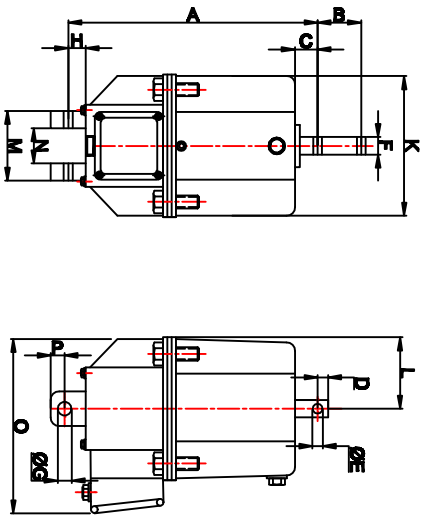



FIG. - 1

FIG. - 2

FIG. - 3

R.NO.	REV.

SIGN & DATE

		NAME	SIGN	ELECTRONIC & POWER CONTROL CO. BHILAI-490026
		Deest		
Chd	SHWETA			GENERAL ARRANGEMENT DRAWING FOR ELECTRO-THRUSTORS TYPE - KED
Apd	M.BAHADUR			
Date	28-08-2010			DRG. NO. :EPCKED/2010/01 TOTAL NO. OF SHEETS : 2 Scale: N.T.S. Sheet : 1 of 2