

KAKKU HEAVY DUTY LEVER TYPE LIMIT SWITCHES

SERIES KLS – HD – 200 & 2000

SPECIAL FEATURES

- Double break contacts with high quality silver cadmium oxide contact tips having arc-retarding and anti-welding properties.
- Provided with specially treated oil resistant rubber gaskets at all the joints in the switch to make it completely dust-proof.
- Universal design for both AC and DC applications.
- Cams and contact blocks are of high grade phenolic fibrous moulding material having excellent electrical and mechanical properties.
- Resists extreme shock & vibratory conditions.
- Ease of maintenance, reliability of performance, flexible contact sequence and long-life.

control circuits of Heavy Machinery, EOT Cranes, Conveyors, Transfer Cars, Elevators, Steel Mills, Auxiliaries & other Mobile/ Material Handling Equipments for slowing down/ stopping the drive at the end limits of its travel for safety purpose or initiating a control/ interlocking sequences between various drives.

KAKKU Limit Switches are available in a variety of different sizes and designs. A multitude of operating levers can be obtained to suit specific requirements.

TECHNICAL DATA

Ambient Temperature	: 55° C
Mounting Arrangement	: Surface mounting
Housing	: Cast Iron/ Al. housing & detachable cover
Enclosure category	: As per IP-55 of IS-2147-1962.
Terminals	: Suitable for conductor size 2.5mm ² .

APPLICATION

KAKKU Limit Switches Series KLS – HD – 200 & KLS – HD – 2000 are used to provide electrical on/ off signals for the automatic

RATINGS

Rated Voltage	Permissible Continuous Current	Making Current upto 500V AC	Breaking Current at Inductive Load (Amps.)			
			D.C.			Upto 500V AC
			110V	220V	440V	
Upto 500V AC or DC	10A	50A	2.5	1.5	0.5	10

Rated Duty : 600 operation per hour

SELECTION CHART

Type	Nature of Lever	No. of Contacts	Position	Action	Max. Speed of Operating Mechanism (Mtrs./ min)	Threaded Cable Entry.	Fig.	Eqvt. to USSR type
KLS – HD – 201	Roller Lever	2	1 – 0 – 1	Self Return	150	1" BSP	1	KY – 701T
KLS – HD – 2012	Roller Lever	4	1 – 0 – 1	Self Return	150	1" BSP	1	---
KLS – HD – 202	Roller Lever	2	1 – 0 – 1	Self Return	150	19mm Conduit	2	---
KLS – HD – 2022	Roller Lever	4	1 – 0 – 1	Self Return	150	25mm Conduit	2	---
KLS – HD – 203	Counter Weight	2	0 – 1	Stayput	Unlimited	1" BSP	3	KY – 703T
KLS – HD – 2032	Counter Weight	4	0 – 1	Stayput	Unlimited	1" BSP	3	---
KLS – HD – 204	Forked Lever	2	1 – 0 – 1	Stayput	100	1" BSP	4	KY – 704T
KLS – HD – 2042	Forked Lever	4	1 – 0 – 1	Stayput	100	1" BSP	4	---
KLS – HD – 205	V-shaped Lever	2	1 – 0 – 1	Stayput	100	1" BSP	5	---
KLS – HD – 2052	V-shaped Lever	4	1 – 0 – 1	Stayput	100	1" BSP	5	---
KLS – HD – 206 *	Double Roller Lever	2	0 – 1	Stayput	300	1" BSP	6	KY – 706T
KLS – HD – 2062	Double Roller Lever	4	0 – 1	Stayput	300	1" BSP	6	---
KLS – HD – 207	Foot Pedal	2	0 – 1	Self Return	---	1" BSP	7	HB – 701T
KLS – HD – 2072	Foot Pedal	4	0 – 1	Self Return	---	1" BSP	7	---

* Widely used as a pull cord switch on conveyors in steel plants.

DIMENSIONS

As per relevant figures shown in the dimensional data sheet.

OPTIONAL EXTRAS

- Enclosure IP – 65
- Special Shape and size of lever.
- Suitable base plate at bottom to match any mounting dimension. (furnish drawing)
- Epoxy paint for special applications.
- Position of the lever at any desired angle in normal position.

- Set of accessories comprising of snatch block, 2 metres wire rope, rope clamps and rope fastening arrangement for KLS–HD–203 & KLS–HD–2032.

- Single or double compression cable gland.
- Contact with thermal rating of 40 Amps.

ORDERING INFORMATION

- Give **KAKKU** type.
- Contact opening and closing sequence for each of the contacts.
- Specify optional extras if any.

Product improvement is a continuous process at KAKKU. Hence data given in this catalogue is subject to revision without notice.



Symbol Of Reliability

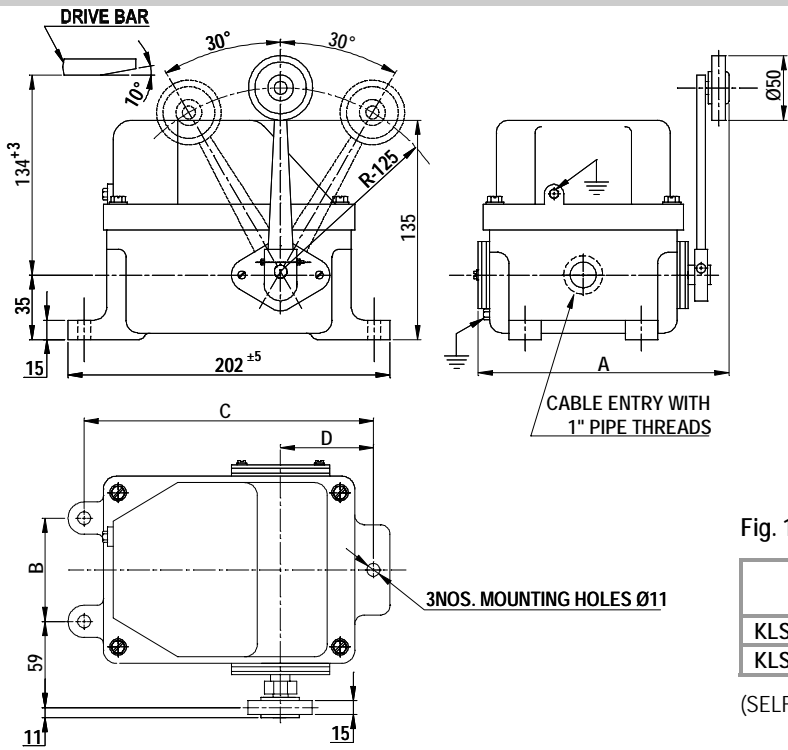


Fig. 1 ROLLER LEVER LIMIT SWITCH

Type	No. of Contacts	A	B	C	D
KLS-HD-201	2	163	54	174	63
KLS-HD-2012	4	222	113	178	62

(SELF RESET VERSIONS)

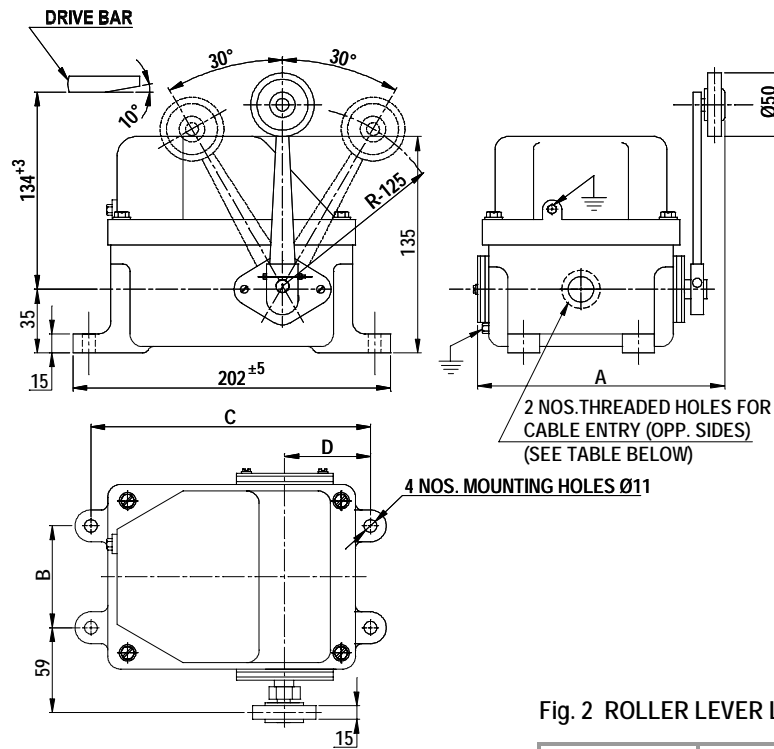


Fig. 2 ROLLER LEVER LIMIT SWITCH

Type	No. of Contacts	Threaded Holes for Cable Entry	A	B	C	D
KLS-HD-202	2	Suitable for 19mm Conduit	163	54	174	63
KLS-HD-2022	4	Suitable for 25mm Conduit	222	113	178	62

(SELF RESET VERSIONS)



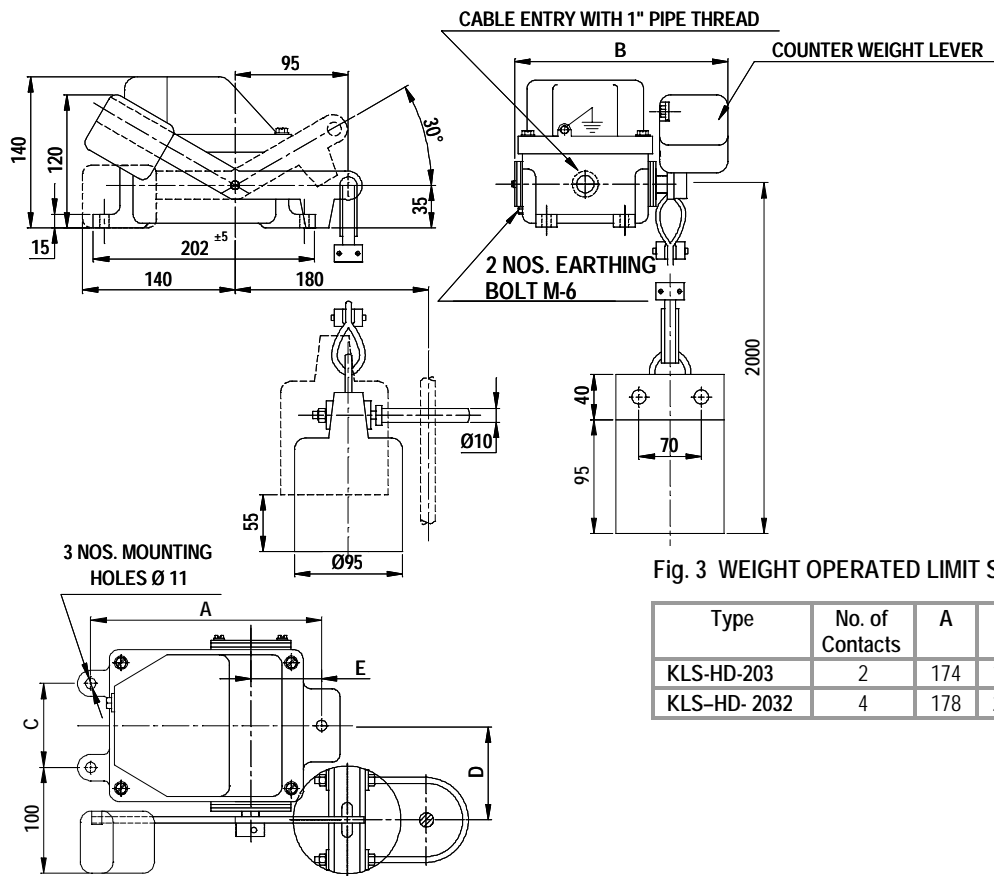


Fig. 3 WEIGHT OPERATED LIMIT SWITCH

Type	No. of Contacts	A	B	C	D	E
KLS-HD-203	2	174	190	54	71	63
KLS-HD- 2032	4	178	250	113	101	62

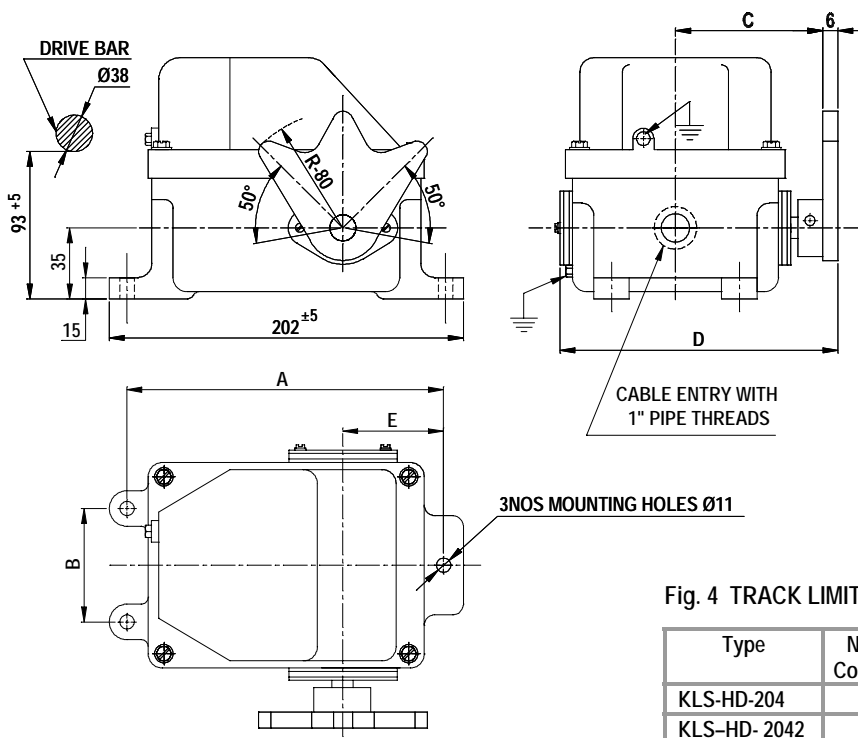


Fig. 4 TRACK LIMIT SWITCH

Type	No. of Contacts	A	B	C	D	E
KLS-HD-204	2	174	54	82	150	63
KLS-HD- 2042	4	178	113	116	210	62

(STAY PUT VARSIONS)



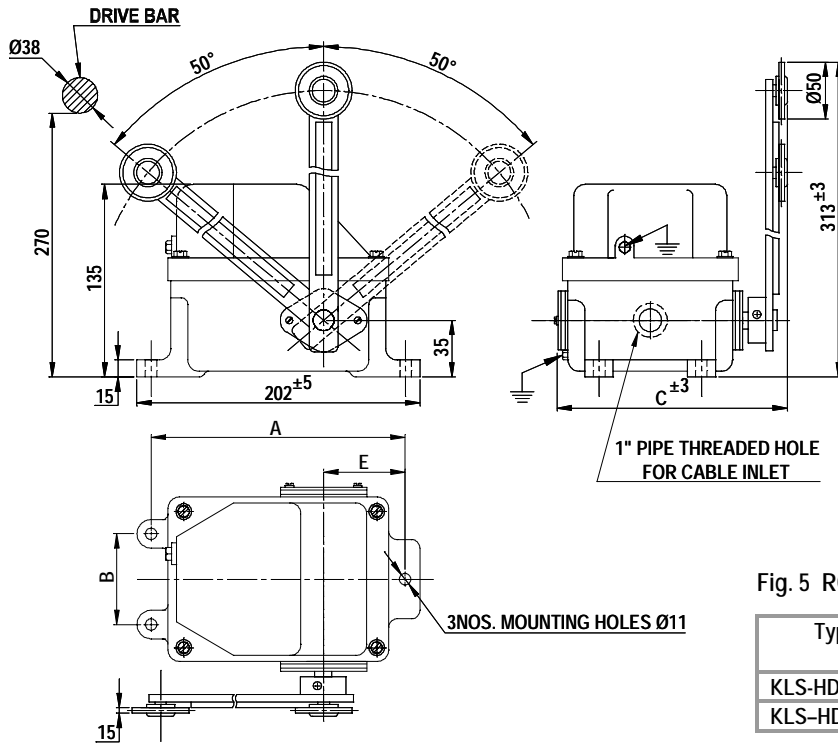


Fig. 5 ROLLER LEVER LIMIT SWITCH

Type	No. of Contacts	A	B	C	E
KLS-HD-205	2	174	54	177	63
KLS-HD-2052	4	178	113	231	62

(STAY PUT VARSIONS)

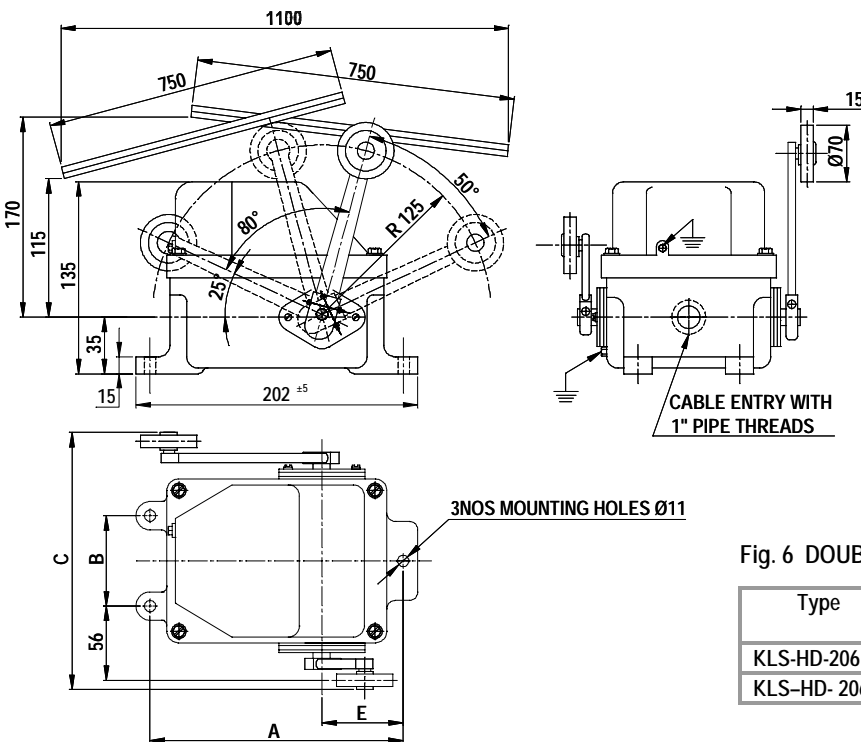


Fig. 6 DOUBLE ROLLER LEVER LIMIT SWITCH

Type	No. of Contacts	A	B	C	E
KLS-HD-206	2	174	54	193	63
KLS-HD-2062	4	178	113	250	62



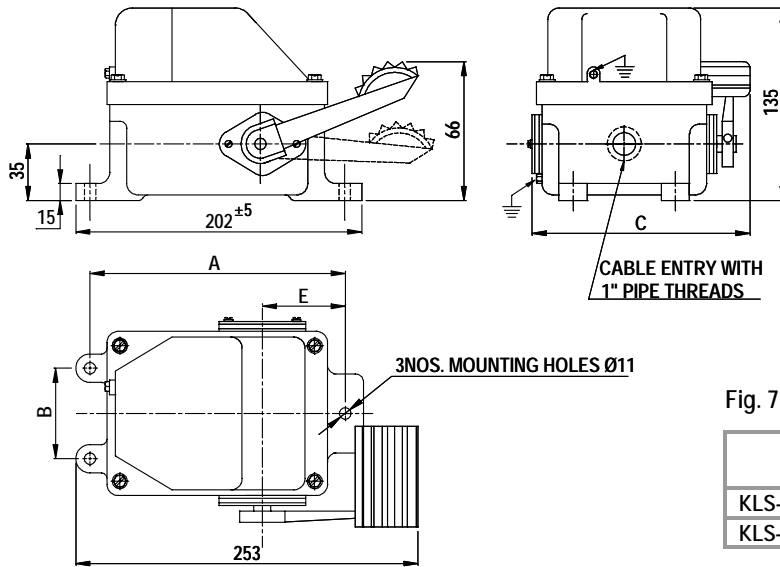


Fig. 7 FOOT SWITCH

Type	No. of Contacts	A	B	C	E
KLS-HD-207	2	174	54	150	63
KLS-HD-2072	4	178	113	215	62

Fig. 8 POSSIBLE POSITIONS OF LEVER FOR DIFFERENT APPLICATIONS

