

**NOTE:**  
 WE RESERVE THE RIGHT TO CHANGE ANY DATA WITHOUT NOTICE.  
 ALL RIGHTS RESERVED.  
 THE FIGURE IS INDICATIVE & MAY APPEAR DIFFERENT FOR DIFFERENT SIZES OF BRAKES  
 \*\*WEIGHT MENTIONED IS WITHOUT THRUSTOR

R.NO.	REV.	SIGN.	DATE
Dm		SHWETA	
Chd		M.BAHADUR	
Apd		M.BAHADUR	25-10-2010

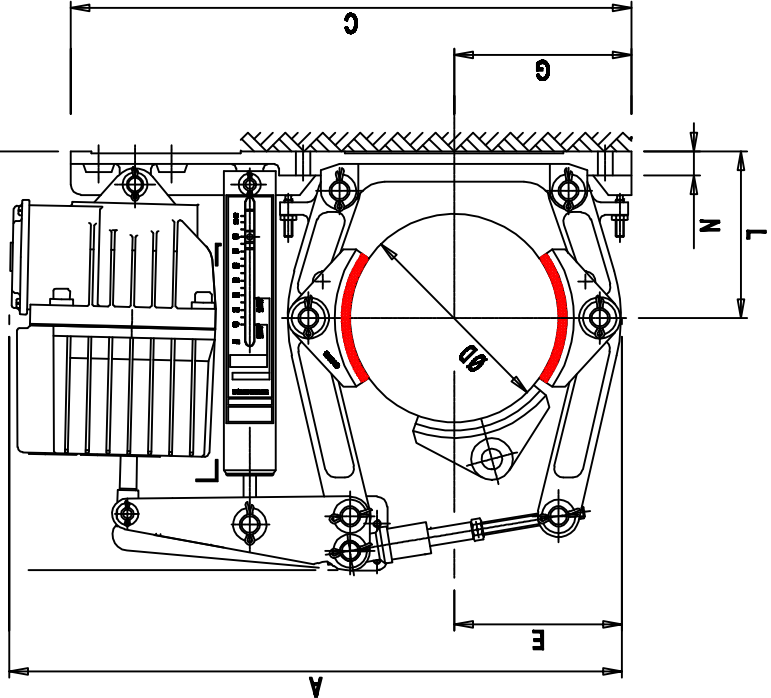
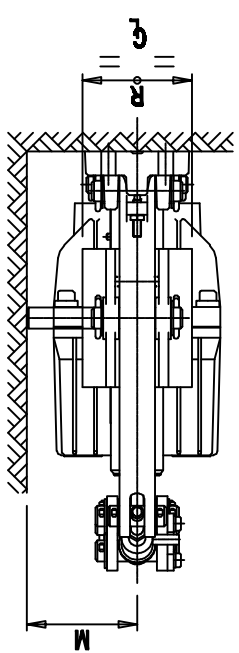
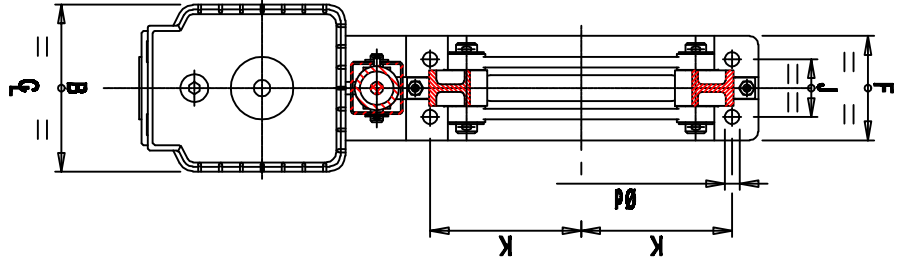
Scale: N.T.S.	DRG. NO.: EPC/C/BT/KED/2010/01
Sheet: 1 of 1	



**G.A. DRAWING FOR THRUSTOR OPERATED BRAKES TYPE - KBT / KED**

**ELECTRONIC & POWER CONTROL CO.**  
 BHILAI - 490 026 (C.G.), INDIA

Brake Type	Thruster Torque Range In Nm at $\mu = 0.4$	A	B	C	D	E	F	G	H	J	K	L	M	N	P	Q	R	D	kg <sup>cm</sup> (Approx)	
KBT 200	23/8	50 - 300	640	160	515	200	170	90	160	475	55	145	160	115	10	75	70	96	14	30
	30/8	65 - 400	640	160	515	200	170	90	160	475	55	145	160	115	10	75	70	96	14	
KBT 250	23/8	40 - 325	760	160	625	250	210	110	200	550	65	180	190	133	10	95	90	113	18	40
	30/8	40 - 450	760	160	625	250	210	110	200	550	65	180	190	133	10	95	90	113	18	
KBT 315	23/8	70 - 420	885	160	735	315	260	125	240	650	80	220	230	160	10	118	110	135	18	50
	30/8	70 - 550	885	160	735	315	260	125	240	650	80	220	230	160	10	118	110	135	18	
KBT 400	23/8	80 - 575	1030	160	900	400	310	160	300	775	100	270	280	199	12	150	140	167	22	85
	30/8	80 - 700	1030	160	900	400	310	160	300	775	100	270	280	199	12	150	140	167	22	
KBT 500	23/8	100 - 1800	1075	195	1025	500	385	190	355	870	130	325	340	242	13	190	180	202	22	130
	30/8	100 - 2200	1075	195	1025	500	385	190	355	870	130	325	340	242	13	190	180	202	22	
KBT 630	23/8	1200 - 2400	1215	240	1190	630	465	250	440	1000	170	400	420	295	15	238	225	244	27	206
	30/8	1200 - 2800	1215	240	1190	630	465	250	440	1000	170	400	420	295	15	238	225	244	27	
KBT 710	23/8	1500 - 3000	1500	240	1302	710	525	270	490	1100	190	450	470	332	15	265	255	276	27	268
	30/8	1500 - 3600	1500	240	1302	710	525	270	490	1100	190	450	470	332	15	265	255	276	27	



All dimensions are in m.m.